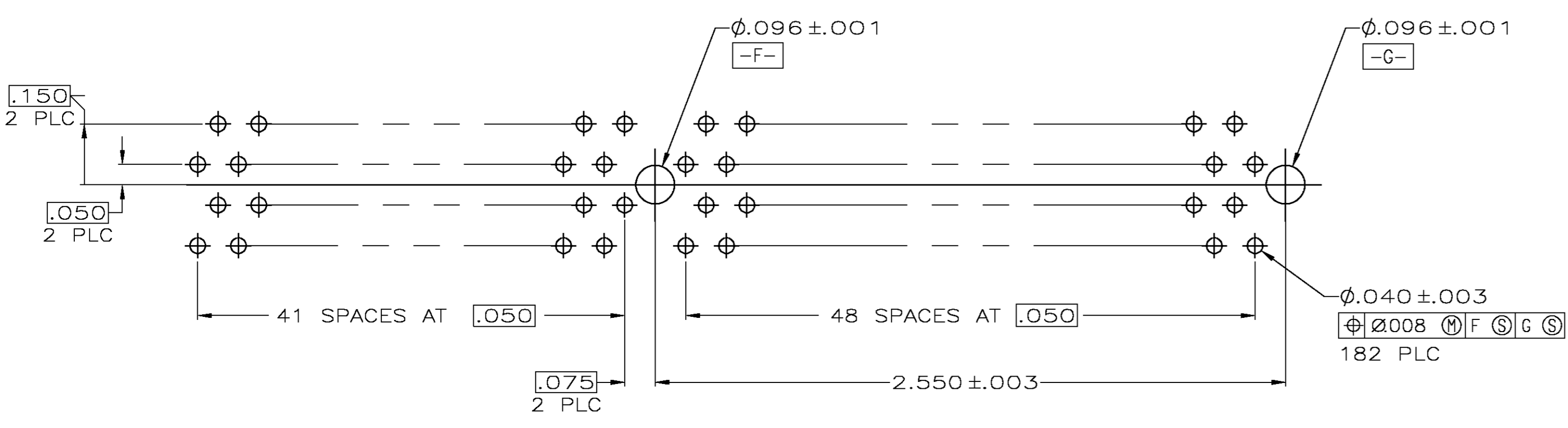
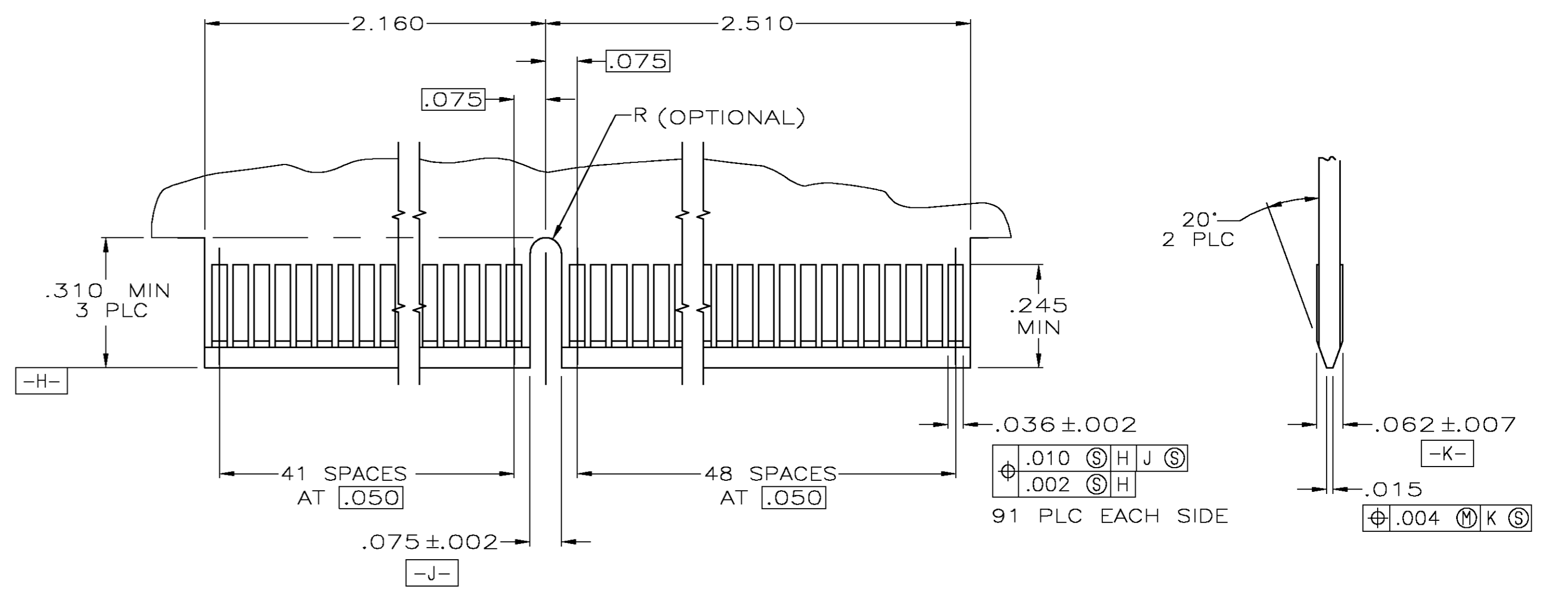
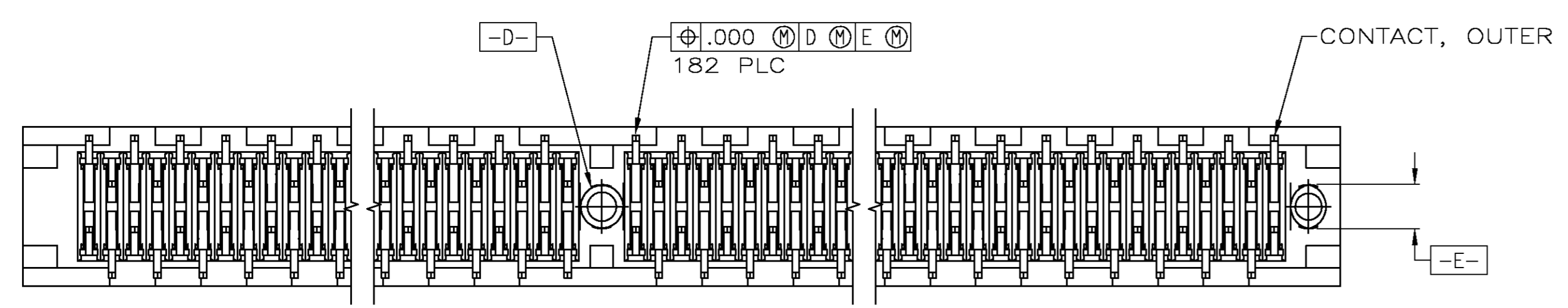


- 1 HOUSING: HIGH TEMPERATURE THERMOPLASTIC. COLOR: BROWN.
- 2 CONTACT: PHOSPHOR BRONZE.
- 3 CONTACT FINISH: .000100 MIN NICKEL ALL OVER.
.000030 MIN GOLD OVER NICKEL IN CONTACT AREA.
.000100 MIN MATTE TIN OVER NICKEL ON SOLDER TAILS.
- 4 DISTANCE FROM CONTACT POINT TO BOTTOM OF CARD SLOT.
- 5 AMP PART NUMBER, DATE CODE AND CSA LOGO MARKED IN APPROXIMATE AREA SHOWN.



RECOMMENDED CONNECTOR MOUNTING HOLE PATTERN
(CONNECTOR SIDE SHOWN)

RECOMMENDED MATING BOARD EDGE CONFIGURATION

.14	5650092-2
.10	5650092-1
W	PART NUMBER

THIS DRAWING IS A CONTROLLED DOCUMENT.		DRN AL FRANTUM 24 JUN 05		Tyco Electronics Corporation Harrisburg, Pa 17105-3608
DIMENSIONS: INCHES		OK AL FRANTUM 24 JUN 05		NAME
TOLERANCES UNLESS OTHERWISE SPECIFIED:		PRODUCT SPEC 108-14034	SIZE	CAGE CODE DRAWING NO
0 PLC ± -		APPLICATION SPEC 114-26012	A1	00779 C=5650092
1 PLC ± .01		WEIGHT -	CUSTOMER DRAWING	SCALE 4:1 SHEET 1 OF 1 REV 0
2 PLC ± .005				
3 PLC ± .005				
4 PLC ± .005				
ANGLES ± 7				
FINISH				